



- TASTE THE DIFFERENCE -

MODEL SLX400E

Our latest slim line, twin flavour plus twist soft serve machine, whether it be soft ice cream or frozen yogurt it produces the highest quality product and being gravity fed is very easy for staff to operate and clean.

The Electro Freeze Advantage

- **Virtual Quality Management System™** monitors Temperature and Consistency to provide superior taste and quality.
- **Multi-Function LED Display** with manager smart tools.
- **Innovative Solutions** providing the best product quality in the industry.
- **Self-Closing Handles** making it ideal for self-service and eliminates waste
- **Exclusive Beater Design** gently blends, reducing agitation and maintaining product quality and consistency.
- **Simple to Operate** and easy to clean
- **Experience Tells** Electro Freeze has been manufacturing high quality soft serve machines in the U.S.A. since 1929. Superior engineering, product innovations, sturdy construction, quality craftsmanship and dependable performance are Electro Freeze hallmarks.
- **Three Year Parts & Labour Warranty** on all new machines supplied in the U.K.

SOFT SERVE FREEZER

Genesis Series™

featuring



VQM™

Virtual Quality

Management System™

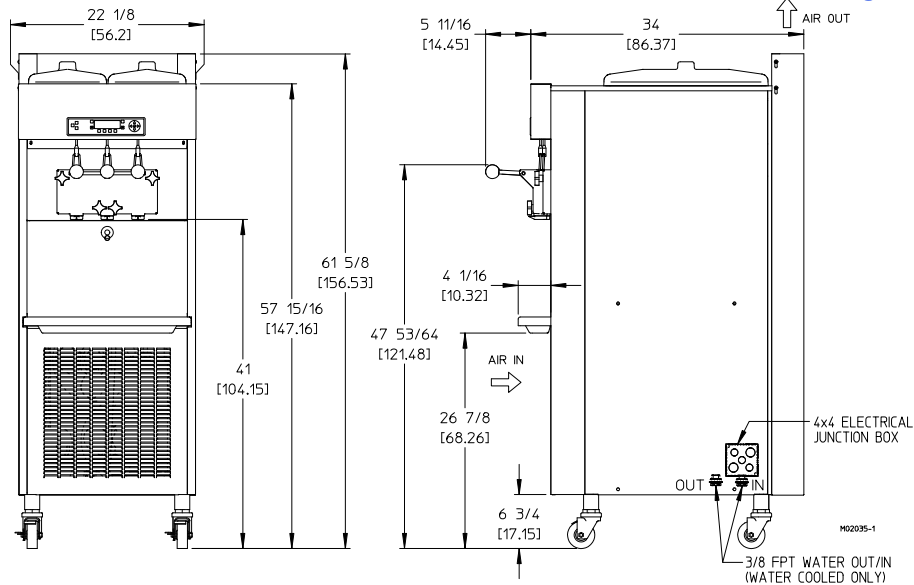


electrofreeze.com

FOR MORE INFORMATION CONTACT

023 8062 9520 • info@electrofreeze.co.uk

SLX400E Soft Serve Freezer



MODEL SLX400E SPECIFICATIONS

Due to continual product improvements all specifications are subject to change without notice.

Weights	kgs.
Net	213
Crated	257

	cu.m.
Volume	1.65

Dimensions	cm.
Width	56
Depth	76
Height	154

	Total		
	Amps	kW	Fuse Required
220-240/50/1 Air	16.0	3.1	20 Amp
220-240/50/1 Water	15.0	3.2	20 Amp

Check nameplate for exact electrical data.

Warranty

All new Electro Freeze Soft Serve Machines are supplied in the U.K. with a Three Year Parts & Labour Warranty.

Electrical

A dedicated electrical connection is required. See electrical chart for the proper requirement.

Beater Motor

Two x 1.0 hp.

Refrigeration Systems

One, 6,900 Btuh. R404a.
Btuh may vary depending on compressor used.

Air Cooled

15 cm air space required at the rear of the machine, unless the optional vertical Air-Shute is fitted.

Mix Hopper Capacity: Two x 11 litres

Freezing Cylinder Capacity: Two x 2.6 litres

Electro Freeze Sales (UK)

Citygrove Trading Estate, Woodside Road
Eastleigh, Hampshire, SO50 5ET (U.K.)
Phone (023) 8062 9520
Email: info@electrofreeze.co.uk
www.electrofreeze.co.uk

