



- TASTE THE DIFFERENCE -

MODEL CS4

Our most popular model due to its compact dimensions, ease of operation and a class leading production capacity for a countertop machine that only requires a standard 13amp power supply.

Suitable for restaurants, takeaways, indoor play centres, seasonal kiosks with a limited power supply, outside event catering and self-service buffet restaurants.

The Electro Freeze Advantage

- **Compact Design** with a small footprint.
- **Class Leading** production capacity.
- **Electronic Consistency Control** designed to dispense the finest product available.
- **Self Closing Dispense Handle** makes this model ideal for self-service buffet restaurants.
- **Exclusive Beater Design** gently blends, reducing agitation and maintaining product quality and consistency.
- **Quiet in Operation** - can be sited front of house.
- **Manufactured using the Latest Technology**, designed to be easy to operate, with a long working life.
- **Experience Tells** Electro Freeze has been manufacturing high quality soft ice cream machines in the U.S.A. since 1929.
- **All New Electro Freeze Machines are supplied in the U.K. with a Three Year Parts & Labour Warranty.**

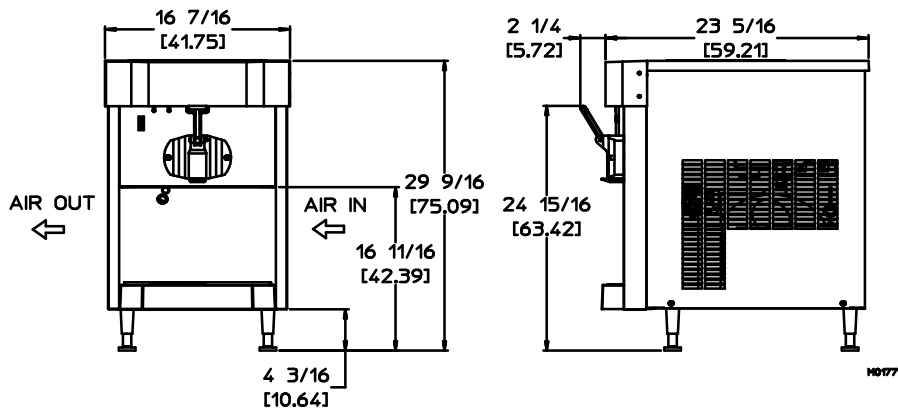
GRAVITY SOFT SERVE FREEZER

Compact Series



electrofreeze.com

FOR MORE INFORMATION CONTACT
(023) 8062 9520 info@electrofreeze.co.uk



MODEL CS4 SPECIFICATIONS

Due to continual product improvements all specifications are subject to change without notice.

Weights	kgs.
Net	92
Crated	120
	cu.m.
Volume	0.58
Dimensions	cm.
Width	42
Depth	60
Height	75
Electrical	Total
	Amps
220-240/50/1 Air	7.2

Check nameplate for exact electrical data.

Warranty

All new Electro Freeze Soft Ice Cream Machines are supplied in the U.K. with a Three Year Parts & Labour Warranty.

Electrical

One dedicated 13 amp electrical connection is required.

Beater Motor

One, .75 hp.

Refrigeration Systems

One, 4,300 Btuh. R404a.
Btuh may vary depending on compressor used.

Air Cooled

7.5cm air space required on both sides and rear panel for proper air circulation.

Electro Freeze Sales (UK)

Citygrove Trading Estate, Woodside Road
Eastleigh, Hampshire, SO50 4ET (U.K.)
Phone (023) 8062 9520 International +44 23 8962 9520
E-mail: info@electrofreeze.co.uk • www. electrofreeze.co.uk

Mix Hopper Capacity: 9.5 litres

Freezing Cylinder Capacity: 2.6 litres